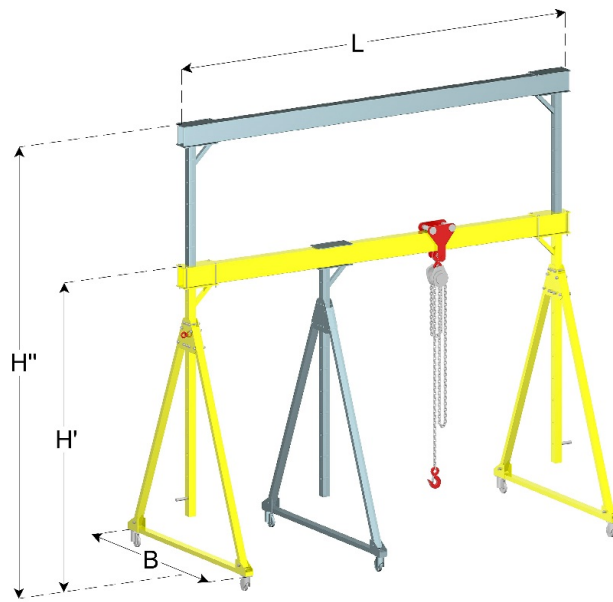


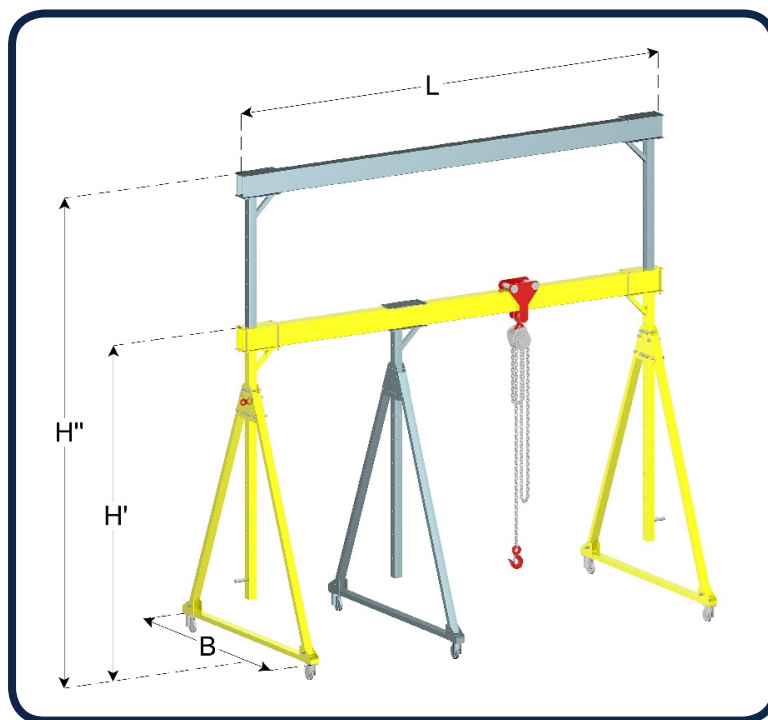
Folding aluminium gantry cranes, movable under load



Light construction, Bolted joints, Easy assembly with 8 bolts between leg and beam, Assembly requires 1 to 3 people according to model, Flexibility of movement due to its light weight, Hollow-section gantry girder, Hoist trolley provided, Height under beam can be adjusted by single person, Dismountable in 3 elements, with foldable feet, Feet fold up for transport, White polyamide wheels with 2 locking wheels

CAPACITY	L	WORKING SPAN	UNDER BEAM min	UNDER BEAM max	B	weight H0	weight H1	weight H2
KG	mm	mm	mm	mm	mm	KG	KG	KG
250	2000	900	1550 (H0) 2150 (H1) 3000 (H2)	2150 (H0) 3200 (H1) 4000 (H2)	1100 (H0) 1520 (H1) 2050 (H2)	76	84	98
	2500	1400				79	87	101
	3000	1900				82	90	104
	3500	2400				86	94	108
	4000	2900				89	97	111
	4500	3400				92	100	114
	5000	3900				96	104	118
	5500	4400				99	107	121
	6000	4900				102	110	124
500	2000	900	1550 (H0) 2150 (H1) 3000 (H2)	2150 (H0) 3200 (H1) 4000 (H2)	1100 (H0) 1520 (H1) 2050 (H2)	83	93	109
	2500	1400				86	96	112
	3000	1900				89	99	115
	3500	2400				100	110	126
	4000	2900				104	114	130
	4500	3400				109	119	135
	5000	3900				113	123	139
	5500	4400				117	127	143
	6000	4900				134	144	160

Folding aluminium gantry cranes, movable under load



CAPACITY	L	WORKING SPAN	UNDER BEAM min	UNDER BEAM max	B	weight H0	weight H1	weight H2
KG	mm	mm	mm	mm	mm	KG	KG	KG
1000	2000	900	1550 (H0) 2150 (H1) 3000 (H2)	2150 (H0) 3200 (H1) 4000 (H2)	1100 (H0) 1520 (H1) 2050 (H2)	103	106	136
	2500	1400				108	111	141
	3000	1900				114	117	147
	3500	2400				119	122	152
	4000	2900				124	127	157
	4500	3400				130	133	163
	5000	3900				155	158	188
	5500	4400				162	165	195
	6000	4900				169	172	202
1600	2000	900	1550 (H0) 2150 (H1) 3000 (H2)	2150 (H0) 3200 (H1) 4000 (H2)	1100 (H0) 1520 (H1) 2050 (H2)	131	151	171
	2500	1400				137	157	177
	3000	1900				142	162	182
	3500	2400				161	181	201
	4000	2900				168	188	208
	4500	3400				175	195	215
	5000	3900				183	203	223
2000	2000	900	1550 (H0) 2150 (H1) 3000 (H2)	2150 (H0) 3200 (H1) 4000 (H2)	1100 (H0) 1520 (H1) 2050 (H2)	131	146	171
	2500	1400				137	152	177
	3000	1900				154	169	194
	3500	2400				161	176	201
	4000	2900				168	183	208