

Aluminium Tripod Crane

Item No. 1621000

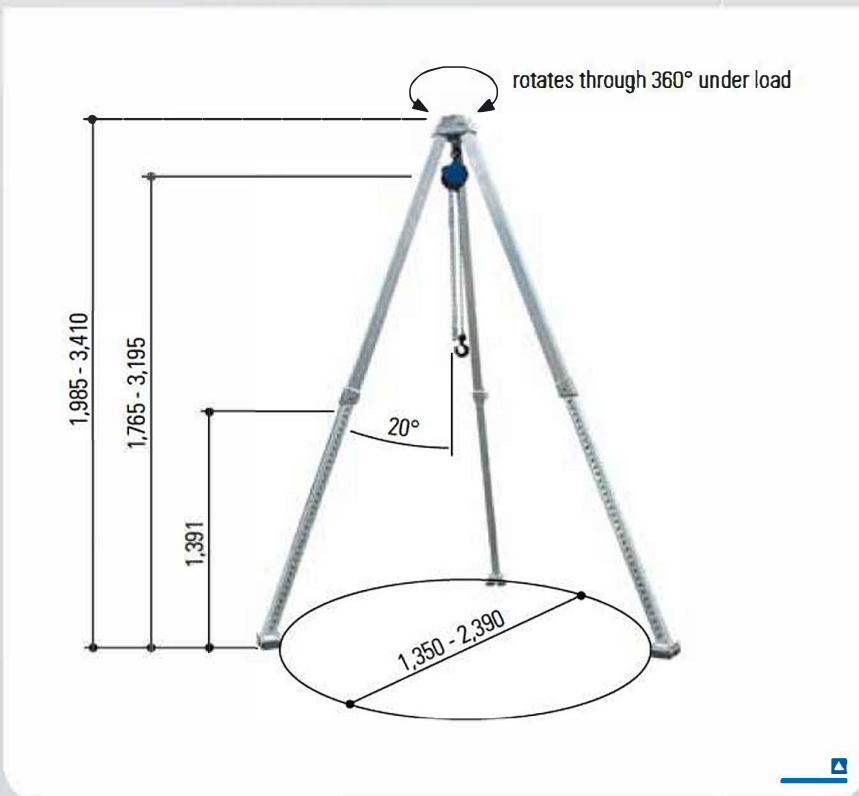


Technical Data

load capacity 1,000 kg
weight 54 kg

Description

- The ringbolt rotates through 360° under load.
- Greater adjusting range due to telescopic legs.
- Collapsible.
Total length approx. 2,000 mm.
Diameter approx. 450 mm (e.g. for transportation).
- Feet are fitted with non-slip rubber-metal linings.
- Stability guaranteed.
- Is designed for lifting loads especially in places that are hard to reach with conventional devices.



Accessories

- ▣ Chain Hoist page 81

Item No. 1621001

Aluminium Tripod Crane with hand winch

Technical Data

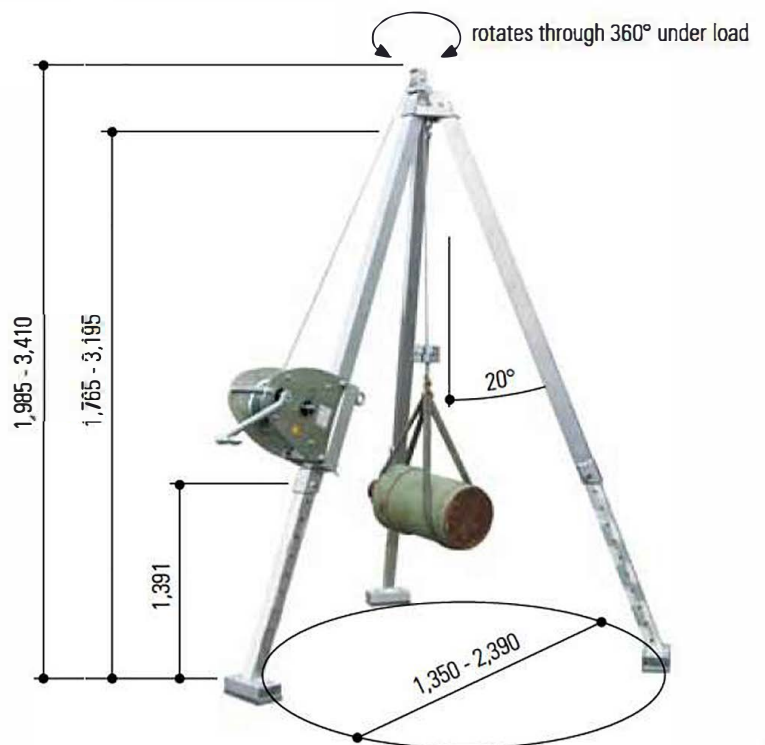
load capacity	1,000 kg
weight	74 kg
cable diameter	7 mm
cable length	25 m
travel per rotation (depending on remaining cable)	23 - 57 mm

Description

- The ringbolt rotates through 360° under load.
- Greater adjusting range due to telescopic legs.
- Collapsible.
Total length approx. 2,200 mm.
Diameter approx. 600 mm (e.g. for transportation).
- Feet are fitted with non-slip rubber-metal linings.
- Stability guaranteed.
- Is designed for lifting loads especially in places that are hard to reach with conventional devices.
- The winch with crank is equipped with a drum direct-gear allowing to quickly wind up and off the unstressed cable (with integrated safety load hook).
- The winch can be flange-mounted at any height on the Aluminium Tripod Crane.
- The load can be hooked to the safety lifting hook of the cable as well as directly onto the ringbolt.

Accessories

- ▣ Chain Hoist page 81





Technical Data

load capacity 1.000 kg
 (first layer)
 suspension point at ringbolt
 approx. 2,415 mm - approx. 3,195 mm
 weight 160 kg

Description

- The ringbolt rotates through 360° under load (e.g. if used with a chain hoist).
- Greater adjusting range due to telescopic legs.
- Collapsible.
 Total length (e.g. for transportation) approx. 3,000 mm.
- Feet are fitted with non-slip rubber-metal linings.
- Incl. mounting bracket for electric cable winch.
 - Due to the own weight of the winch (approx. 80 kg) it will be mounted onto one of the 3 telescopic legs. Otherwise stability can't be guaranteed.
- With wheel kit and double handle.
 - Therewith the complete Aluminium Tripod with mounted electric cable winch can be easily moved to the working area and positioned.
- 2 rubber buffers are integrated on the wheel kit.
 - Those are for protection of the flooring.
- With lashing strap.
 - Holds the three legs for transportation.

Electric Cable Winch

- wire rope hoist ability:
 first layer 1,000 kg
 last layer 780 kg
- rotary current 400 V, 50 Hz
- incl. phase inverter CEE-16A plug and socket device, 5-pin
- maintenance-free ball bearings
- power train group 1 Bm
- protection class IP 54
- with rope
 rope diameter 8mm, rope length 30m
- with lift and lower limiter

- The compact electric cable winch is a robust and sophisticated cable winch for every purpose.
- Due to their special motor arrangement the cable can theoretically run in any direction.

With this version the user has the possibility to use the device as standard product as well as Aluminium Tripod in combination with cable. This is a definite added value for the user.

Accessories

- ▣ Chain Hoist page 81