



	MAX LOAD	WORKING RANGE	GRIP DEPTH	JAWS LENGHT	WEIGHT
	KG	MM	MM	MM	KG
PNJA	5000	25/400	200	500	220
PNJA	6000	25/400	200	500	220
PNJA	8000	50/400	200	850	430

ACCORDANT UNI EN 13155

BASIC SUPPLY - MODEL PNJA :

- Automatic clamp locking
- Anti-cut rubber gripping jaws
- Galvanic zinc coating

AVAILABLE EQUIPMENT



Black rubber gripping jaws

It allows the gripping of concrete artifacts without any damage to the surface. The gripping can leave a slight black sign. The rubber coated surface is subject to wear and, if used on very rough surfaces can undergo damages due to high power concentrations.



Special colors on request

The standard coating is the galvanic zinc coating. You can request customized colors.



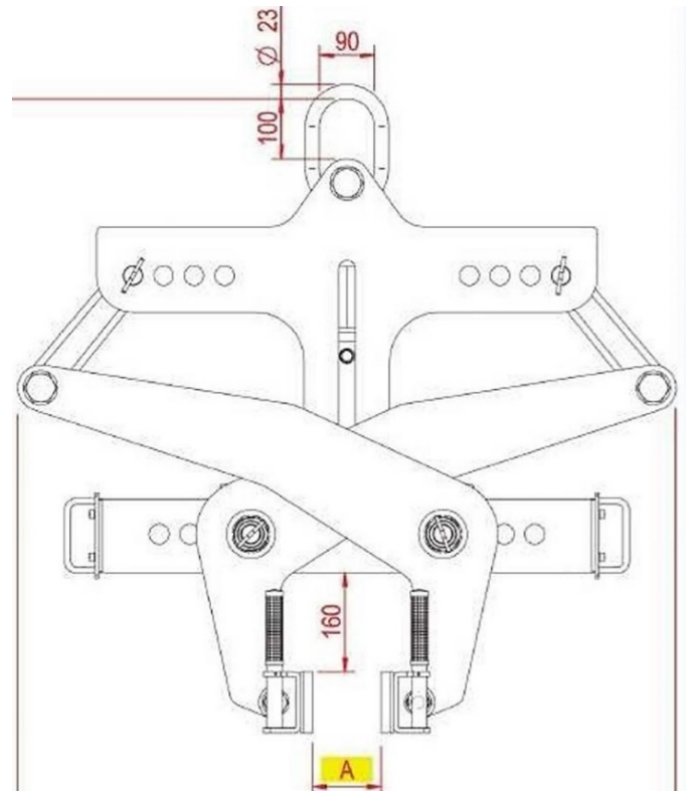
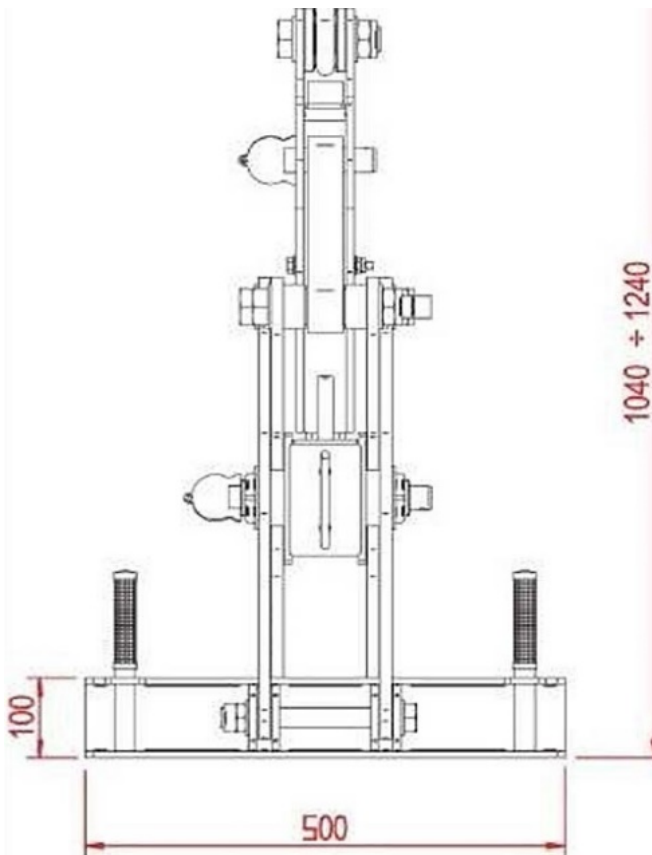
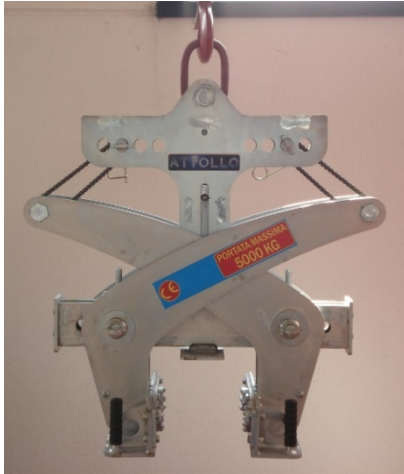
Iron jaws

Provided with sharp protrusions that penetrate the surface, allowing an unmatched gripping. Very suitable for those who use the equipment intensively and for the handling of motorway barriers like New Jersey. Such accessory slightly damages the contact surface.



Automatic locking of the lifting clamps

The phases of hooking and release of the clamp are managed independently by a simple mechanical system. In doing so, the crane operator is able to manage the clamp without necessarily being close to it.



- Max load: 8000 kg.
- Working range : 20 ÷ 400 mm.
- Coating: Galvanic zinc coating.
- Oscillating callipers with spring return to adapt the grip to inclined surfaces.
- Provided with series with suspension ring.
- Provided with series with automatic locking.
- Provided with series with rubber grips - Optional: tempered steel grips.
- EC certified product provided with Instructions for Use and Maintenance.